



DEFENDER® 5000

Floor Scale



Prime German-Quality Floor Scales Fulfill Even the Most Demanding Industrial Applications

The OHAUS next generation Defender 5000 series Floor Scale, are a solid lineup of floor and pit mount scales that do not compromise on quality for industrial applications. Powered by four stainless steel IP68 hermetically-sealed load cells that will withstand years of daily usage in industrial environments, these scales offer a unique combination of affordability, versatility and quality that your company can depend on for years.

Standard Features:

- OHAUS Defender 5000 series Floor Scale is equipped with a new TD52 series indicator with an easy-to-use keypad, large backlit display and plain text on-screen prompts which guide you through operation.
- Four IP68 electro-polished stainless steel load cells that are laser-weld, hermetically-sealed and OIML-certified are standard on all models.
- Combination floor-pit mount design provides versatility for portable or stationary placement, above or below ground installation.
- Features common industrial modes and supports a 50,000-item library with 1,000 user profiles for easy data management. GMP/GLP with time/date for result traceability.

DEFENDER® 5000 Floor Scale

Components and Features

Two Eye Bolts and Four Mounting Dowels:

- Threaded eye bolts are included for ease of lifting and installation
- Eye bolts are made of galvanized mild steel
- Floor mounting dowels are made of mild steel or stainless steel



Four Load Cell Mounted Stainless Steel Feet:

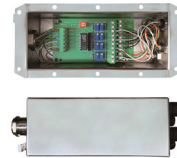
- Pendulum design ensures even footing to the ground
- Includes removable rubber cap to minimize slippage
- Feet are height adjustable and can be locked into position to ensure consistent leveling



Junction Box:

Easy access from the top of the platform

- Stainless steel (AISI304) IP67 dust and water immersion protection for the potentiometers and summing board housed in the enclosure
- Enclosure Size: 193L x 75W x 45H mm, Cable Length: 5m



Multi-Purpose Cleaner:

- Included with stainless steel models
- Multi-purpose rust protectant / cleaning oil safe for food industry



Available Accessories

Pit Frames

Two Eye Bolts and Four Mounting Dowels

- For DFF Models: Black painted mild steel
- For DFG Models: Stainless steel (AISI 304)

| Platform Size (mm) | Actual Dimensions (mm) | Mild Steel Part Number | Stainless Part Number |
|--------------------|------------------------|------------------------|-----------------------|
| 800 x 800 | 890 x 890 x 90H | 22015392 | 22015493 |
| 1,000 x 1,000 | 1,090 x 1,090 x 90H | 22015393 | 22015494 |
| 1,250 x 1,500 | 1,340 x 1,590 x 90H | 22015394 | 22015495 |
| 1,500 x 1,500 | 1,590 x 1,590 x 90H | 22015396 | 22015496 |

Features

- Multiple fixing brackets that help to anchor the frame to the wall
- Tapered foot mounting guides for easy installation of floor-pit mount platforms



Ramps

Two Eye Bolts and Four Mounting Dowels

- For DFF Models: Black painted mild steel
- For DFG Models: Stainless steel (AISI 304)

| Width (mm) | Length (mm) | Mild Steel Part Number | Stainless Part Number |
|------------|-------------|------------------------|-----------------------|
| 800 | 830 | 22015464 | 22015473 |
| 1,000 | 830 | 22015465 | 22015474 |
| 1,250 | 830 | 22015466 | 22015475 |
| 1,500 | 830 | 22015467 | 22015476 |

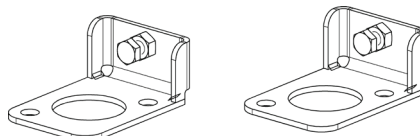
Features

- DF series ramps are made of 5mm thick metal (mild steel or stainless steel) with bottom support channels that resist bending during heavy loads



Foot Plates

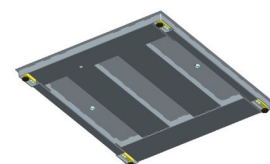
One Set of Two Foot Plates including Four Mounting Bolts



| Item Description | Part Number |
|------------------|-------------|
| Mild Steel | 22015499 |
| Stainless Steel | 22015581 |

Defender 5000 series Floor Scale Bottom

- Steel channel design for structural toughness
- 4 x load cell mounted stainless steel swivel feet
- 4 x stainless steel IP68 load cells in all models



DEFENDER® 5000 Floor Scale

| Platform Dimensions (A x B) | Platform Models | | | |
|---|--|----------------------------------|---|--|
| 800 x 800 mm (S) Fixed top plate 4mm thick | DF300F1S DF300G1S | DF600F1S DF600G1S | | |
| 1,000 x 1,000 mm (R) Fixed top plate 4mm thick | DF300F1R DF300G1R | DF600F1R DF600G1R | DF1500F1R a/ DF1500G1R a/ | |
| 1,250 x 1,500 mm (LX) Fixed top plate 6mm thick | | DF600F1LX DF600G1LX | DF1500F1LX a/ DF1500G1LX a/ | DF3000F1LX a/ DF3000G1LX a/ |
| 1,500 x 1,500 mm (X) Fixed top plate 6mm thick | | DF600F1X DF600G1X | DF1500F1X a/ DF1500G1X a/ | DF3000F1X a/ DF3000G1X a/ |
| 1,500 x 2,000 mm (XV) Fixed top plate 6mm thick | | | DF1500F1XV b/ | DF3000F1XV b/ |
| Material: DFxxxF1 Models | Mild steel, black painted, non-treaded surface | | | |
| Material: DFxxxG1 Models | Stainless steel (AISI 304), bead blasted, non-treaded surface | | | |
| Platform Capacity | 300kg | 600kg | 1500kg | 3000kg |
| Maximum Safe Static Load: with Central Load with Side Load with Corner Load" | 1,000 kg 800 kg 400 kg" | 3,000 kg 2,000 kg 1,000 kg | a/4,500 kg a/3,000 kg a/1,500 kg" | b/3,300 kg b/2,200 kg b/1,000 kg |
| Feet | 4 x swivel design, stainless steel with rubber caps, adjustable height | | | |
| Load Cell Model | 4 x OHAUS SBH, double-bending beam, OIML-certified | | | 4 x 0745A, double-bending beam, OIML-certified |
| Load Cell Capacity Emax | 250 kg | 500 kg | 1,000 kg | 1,100 kg |
| Load Cell Safe Overload Limit | 150% of Emax | | | |
| Load Cell Material | Stainless steel, electro-polished | | | |
| Load Cell Protection | IP68, laser-weld hermetically sealed | | | |
| Load Cell Output Impedance | 350 Ω ± 1 Ω | | | |
| Load Cell Excitation Voltage | 5V ~ 15V, DC/AC | | | |
| Load Cell Cable Length | 3.1 m | | | |
| Junction Box | IP67, Stainless steel (AISI 304), with heavy duty 5m EasyConnect™ Cable | | | |
| Accessories | Ramps, Mounting Foot Plates, Pit Frames | | | |
| Scale Model, Non-certified, 6000d - 7500d | DF52xxxx | | | |
| Scale Model, EU certified, 3000e | DF52xxxx-M | | | |
| Indicator | TD52P | | TD52XW | |
| Material and Protection | ABS plastic | | Stainless steel (304), IP68 | |
| Weighing Units | kg, g, lb, oz, lb:oz, t, ton, custom | | | |
| Application Modes | Basic Weighing, Percent Weighing, Piece Counting with Optimized APW, Checkweighing/Checkcounting, Dynamic Weighing/Display Hold | | | |
| Displays | Dot matrix LCD with white LED backlight, 256 x 80 pixels | | | |
| Interface | Standard RS232, 8GB MicroSD Card (included) Optional Ethernet, WiFi/Bluetooth, 2nd RS232/RS485/USB, Analog Output, 2 In/4 Out Digital I/O | | | |
| Power | 100-240 VAC / 50/60 Hz Universal Power Supply, Hardwired (TD52XW) or Line Cord (TD52P), Rechargeable Lithium battery (optional) | | | |

DEFENDER® 5000 Floor Scale

Other Standard Features and Equipment

Structural channel bracing and pendulum design feet with removable rubber cap, 150% overload protection, checkweighing symbols with selectable operation and audible signal settings, menu lock switch, multiple selectable operating languages, selectable environmental and auto-print settings, stability indicator, overload/underload indicators, selectable adjust contrast settings, auto-dim display, auto-off, auto tare.

Compliance

- Metrology: EN 45501:2015 (Certificate T11213, Scale models DF52xxxx-M only)
- Product Safety: IEC/EN 61010-1
- Electromagnetic Compatibility: IEC/EN 61326-1 Class B, basic environments
- Compliance Marks: CE, WEEE

Accessories

| | | | |
|---------------------------------------|----------|--|----------|
| Pit Frame DF Painted F1S | 22015392 | Battery Kit, Li-ion, TD52..... | 30424405 |
| Pit Frame DF Painted F1R | 22015393 | USB Host for Dongle, TD52..... | 30424406 |
| Pit Frame DF Painted F1LX..... | 22015394 | Light Tower, 3 Colors, 243mm, IP65 (requires 30097591).... | 30424021 |
| Pit Frame DF Painted F1X | 22015396 | In-use Cover Kit, TD52P | 30424022 |
| Pit Frame DF Painted F1XV..... | 22015397 | In-use Cover Kit, TD52XW | 30424023 |
| Ramp DF Painted F1 800..... | 22015464 | In-use Cover Set (10), TD52P | 30469948 |
| Ramp DF Painted F1 1000..... | 22015465 | In-use Cover Set (10), TD52XW | 30469949 |
| Ramp DF Painted F1 1250..... | 22015466 | Wall Mount Kit, SST, TD52XW | 30424026 |
| Ramp DF Painted F1 1500..... | 22015467 | Wall Mount Kit, CS, TD52P | 30424027 |
| Footplates DF Painted F1 Set (2)..... | 22015499 | LC Extension Cable, 9m, D52 ¹ | 30424409 |
| Footplates DF SS G1 Set (2) | 22015581 | Ethernet Kit, D52 ² | 30429666 |
| Pit Frame DF SS G1S | 22015493 | Printer SF40A | 30064202 |
| Pit Frame DF SS G1R..... | 22015494 | M16 Gland with Ferrite, to TD52..... | 30379716 |
| Pit Frame DF SS G1LX..... | 22015495 | Micro SD Card, 8G | 30303533 |
| Pit Frame DF SS G1X..... | 22015496 | Analog Output Kit, TD52 ³ | 30424403 |
| Ramp DF SS G1 800..... | 22015473 | Second RS232/RS485/USB Kit, TD52 ³ | 30424404 |
| Ramp DF SS G1 1000 | 22015474 | I/O with Relay (2 In/4 Out) ³ | 30097591 |
| Ramp DF SS G1 1250 | 22015475 | WiFi/BT Dongle, OHAUS ² (Requires 30424406) | 30412537 |
| Ramp DF SS G1 1500 | 22015476 | Cable, RS232, for TD52XW | 80500552 |
| Column Kit, Painted, Floor Scale..... | 30047153 | Cable, RS232, for TD52P | 80500525 |
| Column Kit, SST, Floor Scale..... | 30047154 | Cable, RS232, 1.5m, Reference Balance | 30057595 |

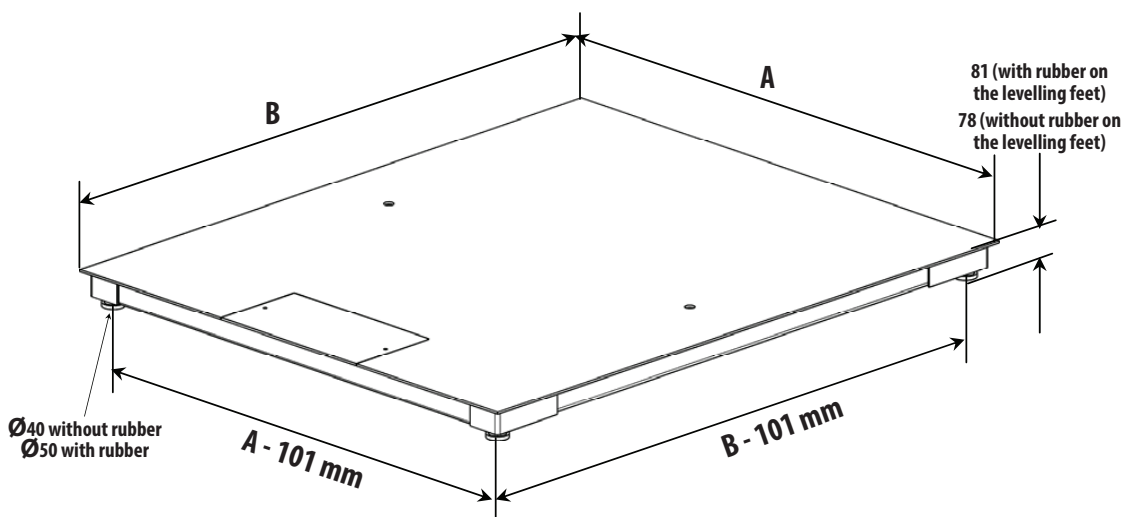
¹ Cannot be used for legal-for-trade applications

² Only one of them can be used at the same time

³ Only one of them can be used at the same time

Outline Dimensions

| Dimensions | DF...S | DF...R | DF...LX | DF...X | DF...XV |
|------------|--------|--------|---------|--------|---------|
| A | 800 | 1000 | 1250 | 1500 | 1500 |
| B | 800 | 1000 | 1500 | 1500 | 2000 |



80776326_C_20200915 © Copyright OHAUS Corporation





WolfLabs

Pricing on any accessories shown can be found by keying the part number into the search box on our website.

The specifications listed in this brochure are subject to change by the manufacturer and therefore cannot be guaranteed to be correct. If there are aspects of the specification that must be guaranteed, please provide these to our sales team so that details can be confirmed.

www.wolflabs.co.uk

Tel : 01759 301142

Fax : 01759 301143

sales@wolflabs.co.uk

Please contact us if this literature doesn't answer all your questions.